



Product specifications

WellCube Connect

Gateway for device-to-cloud connectivity



Features

01

The WellCube Connect gateway enables Thread mesh network-connected devices to communicate securely and reliably with the WellCube Cloud platform.

02

The built-in Thread border router manages the local Thread mesh network for encrypted, multi-path communication between devices.

03

It provides reliable Ethernet-based network connectivity to the WellCube Cloud, with the flexibility to connect via standard internet gateways or a cellular modem (not included).

04

Designed with security in mind, WellCube provides its own encrypted wireless mesh network (Thread) between devices and offers multiple options for simple Ethernet-based access between gateways and the internet without requiring corporate network access.

05

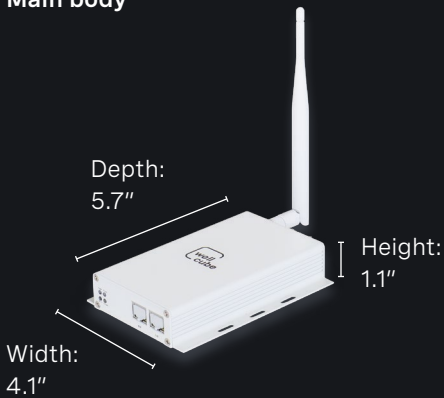
It enables intelligence at the edge for more responsive system intelligence, automation, device management and reduced energy consumption.



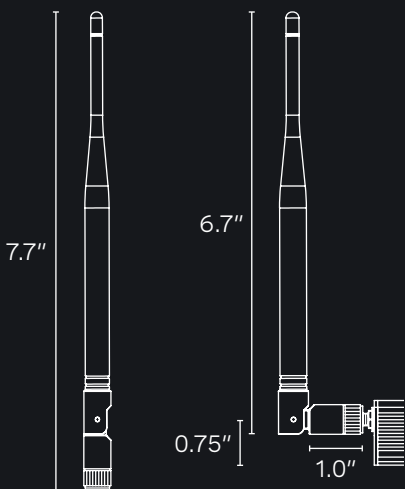
WellCube Connect



Main body



Antenna



Technical specifications

Network Interfaces	1x WAN Port 1x LAN Port 1x Thread Wireless 1x WiFi (disabled) 1x Bluetooth (disabled) 3x connection status LEDs
Wireless Connectivity	Thread wireless mesh networking (built on IEEE 802.15.4) Range between WellCube devices: <ul style="list-style-type: none">50 ft max recommended within typical office environmentsUp to 100 ft max open air
Power Interface	1x 12VDC power input 1x power status LED
Power Requirements	110-240 VAC 50/60 Hz plug-in adapter 12V DC purifier input (20 W max)
Energy Consumption	24 W (max)
Working Temperature	-20-55 °C
Storage Temperature	-40-70 °C
Device Dimensions	Main body: 1.1" H x 4.1" W x 5.7" D Antenna length: 7.7" Weight: 1 lb
Mounting Method	Wall/ ceiling mounted (via included screws & anchors) DIN 35 mm mounting compatible
Certifications	FCC/ IC CE
Warranty	1 year

