

GUIDE

# Sensor Module Replacement



## INSTRUCTIONAL GUIDE

This guide and content is for informational purposes only. Please read and follow all manufacturer installation, usage, and safety manuals and instructions.

Copyright © 2023 Delos Living LLC. All rights reserved.

## Step 1:

- a. Remove the sensor from the wall/backplate by gently turning the sensor counter clockwise until it stops and then remove the sensor from the backplate.



Image 6.1 Removing the sensor from the backplate

## Step 2:

- a. Remove the front cover from the sensor by giving it a firm tug, unlatching it from the device.
- b. Remove the old sensor modules and discard.
- c. Insert the new sensor modules by aligning the pin connectors of the sensor modules to the pin connectors inside the sensor.

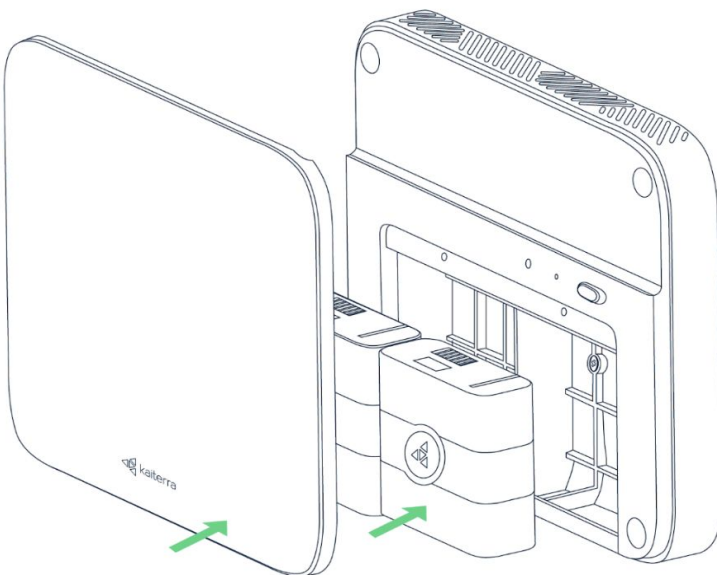


Image 6.2 How to remove sensor modules

### Step 3:

- a. Replace the front cover by aligning it with the device and pressing firmly until you hear a click, which indicates that it is latched in place.
- b. Re-attach the sensor to the backplate by matching the pinpoints of the sensor to the slots of the backplate and gently turn the sensor clockwise to lock it in.



Image 6.3 Attaching the sensor to the backplate

### Step 4:

- a. Confirm that sensor is online on Kaiterra dashboard and Kiosk View.
- b. Confirm that all the measurements are showing up on Kaiterra dashboard and Kiosk View (CO<sub>2</sub>, PM<sub>2.5</sub>, PM<sub>10</sub>, TVOC, T, RH).

Additional Questions?  
email [support@delos.com](mailto:support@delos.com) to learn more



Delos is the trademark or registered trademark of Delos Living LLC in the United States and/or other countries. All other trademarks, service marks, trade names and logos used herein are the property of their respective owners. Copyright © 2023 Delos Living LLC. All rights reserved